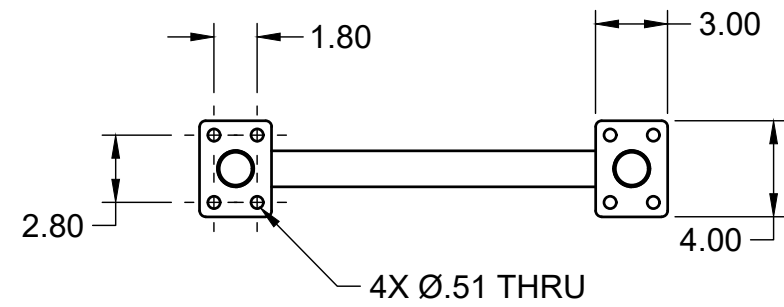
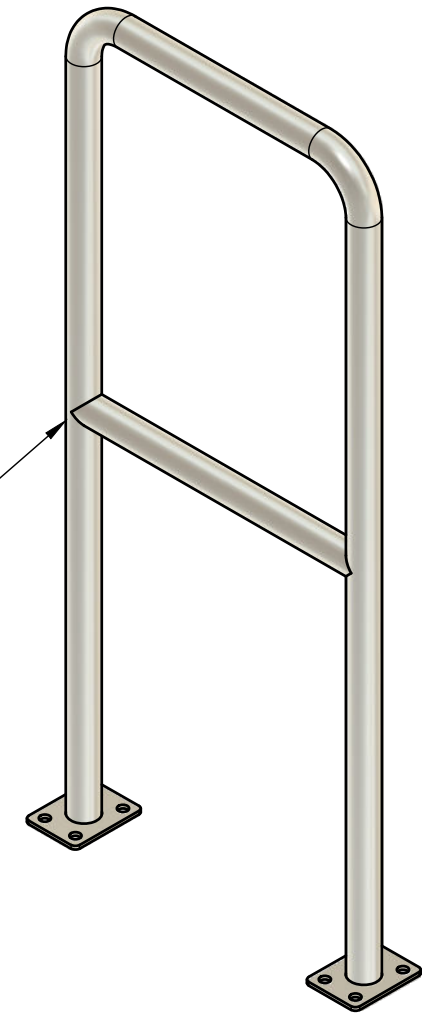


304 STAINLESS STEEL
 Ø1.5 X 0.065 WALL
 180 GRIT FINISH



PROPRIETARY AND CONFIDENTIAL THE INFORMATION CONTAINED IN THIS DRAWING IS THE SOLE PROPERTY OF MARTEK DAVITS LLC. ANY REPRODUCTION IN PART OR AS A WHOLE, WITHOUT THE WRITTEN PERMISSION OF MARTEK DAVITS LLC IS PROHIBITED.	PROJECT			MARTEK TITLE MR 18-42
	APPROVED _____			
CHECKED _____	SIZE B	CODE	DWG NO	REV
DRAWN Robert Scott 9/10/2025	SCALE 1:8	WEIGHT	SHEET 1/1	