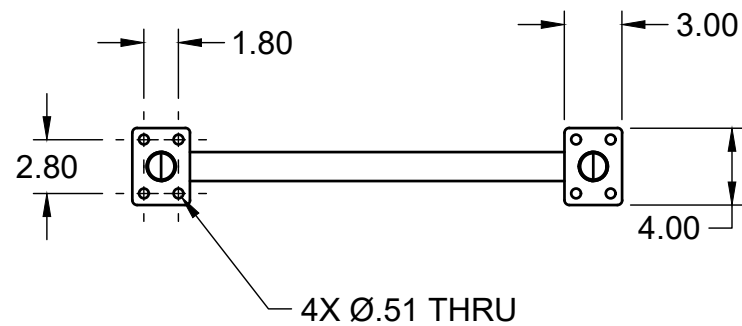
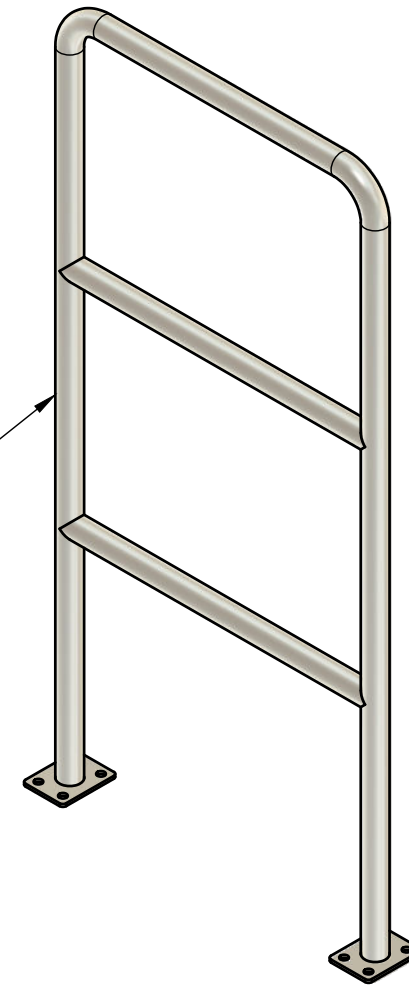


304 STAINLESS STEEL  
 Ø1.5 X 0.065 WALL  
 SATIN #4 FINISH



<b>PROPRIETARY AND CONFIDENTIAL</b> THE INFORMATION CONTAINED IN THIS DRAWING IS THE SOLE PROPERTY OF MARTEK DAVITS LLC. ANY REPRODUCTION IN PART OR AS A WHOLE, WITHOUT THE WRITTEN PERMISSION OF MARTEK DAVITS LLC IS PROHIBITED.	PROJECT			<b>MARTEK</b>  TITLE <b>MR 24-50</b>
	APPROVED			
CHECKED	SIZE	CODE	DWG NO	
DRAWN Robert Scott 9/21/2025	B			
SCALE 1:10		WEIGHT	SHEET 1/1	