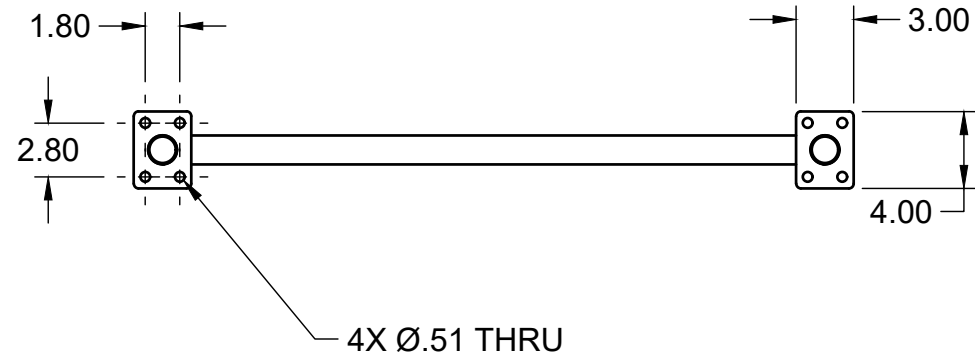
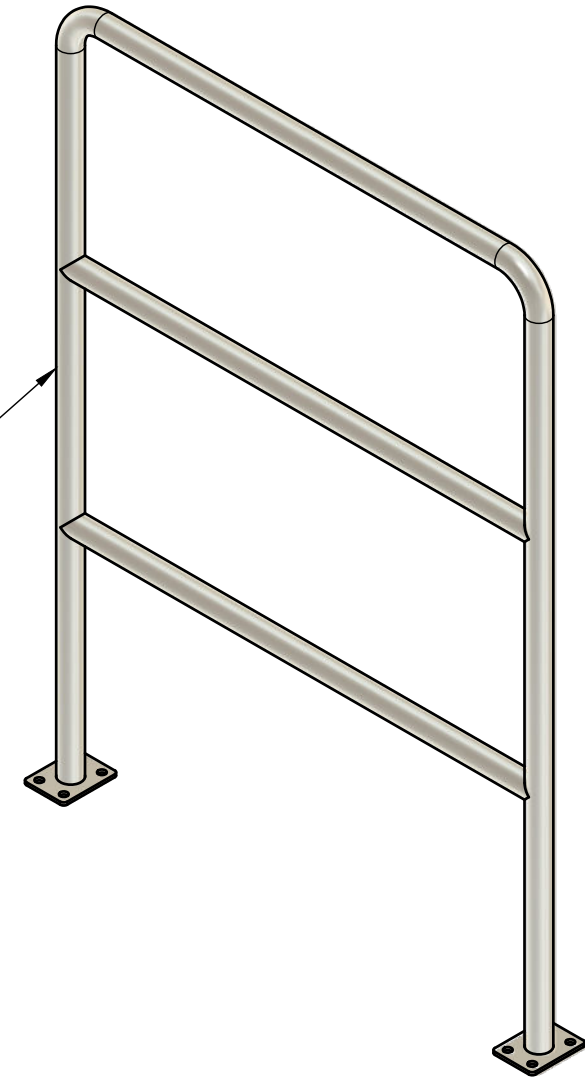


304 STAINLESS STEEL
 Ø1.5 X 0.065 WALL
 SATIN #4 FINISH



PROPRIETARY AND CONFIDENTIAL THE INFORMATION CONTAINED IN THIS DRAWING IS THE SOLE PROPERTY OF MARTEK DAVITS LLC. ANY REPRODUCTION IN PART OR AS A WHOLE, WITHOUT THE WRITTEN PERMISSION OF MARTEK DAVITS LLC IS PROHIBITED.	PROJECT			MARTEK TITLE MR 36-50
	APPROVED _____ CHECKED _____			
DRAWN Robert Scott 9/21/2025	SCALE 1:10	CODE _____ DWG NO _____ WEIGHT _____	REV _____	SHEET 1/1