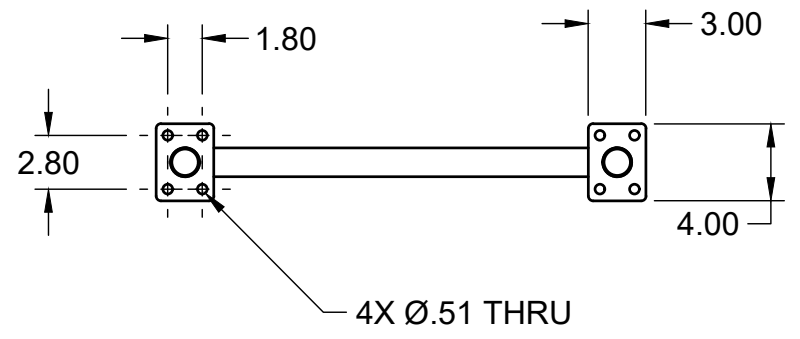
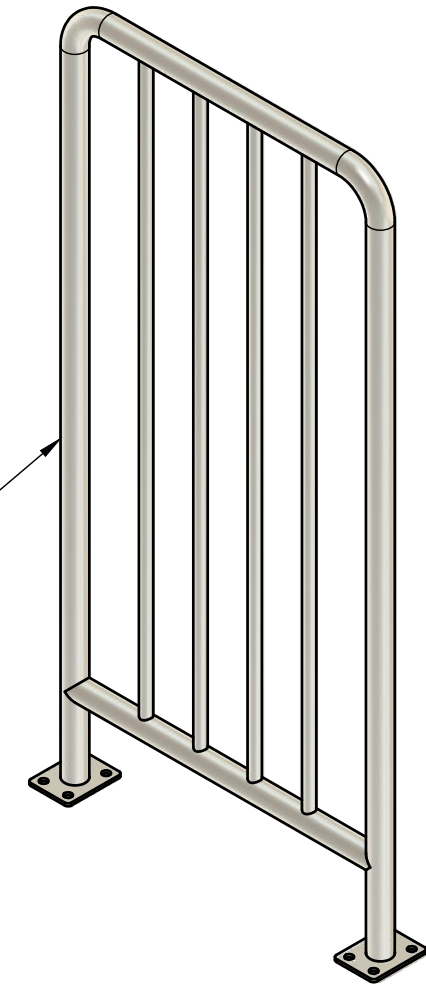


304 STAINLESS STEEL  
 Ø1.5 X 0.065 WALL  
 SATIN #4 FINISH



<b>PROPRIETARY AND CONFIDENTIAL</b> THE INFORMATION CONTAINED IN THIS DRAWING IS THE SOLE PROPERTY OF MARTEK DAVITS LLC. ANY REPRODUCTION IN PART OR AS A WHOLE, WITHOUT THE WRITTEN PERMISSION OF MARTEK DAVITS LLC IS PROHIBITED.	PROJECT			REV
	<b>MARTEK</b> TITLE <b>VR 24-50</b>			
APPROVED	SIZE	CODE	DWG NO	
CHECKED	B			
DRAWN Robert Scott 9/24/2025	SCALE 1:10	WEIGHT	SHEET 1/1	